

PRECAUTIONS

Read these precautions carefully before using your speakers.

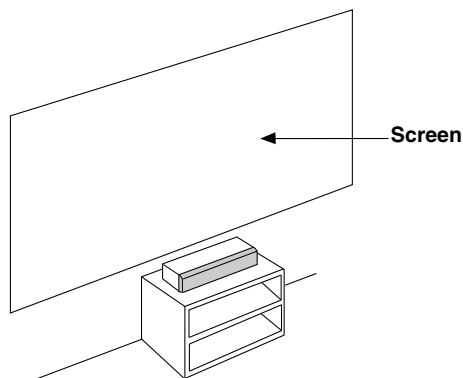
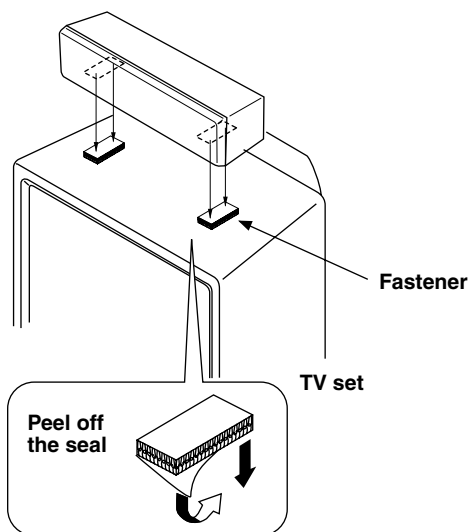
- Any time you note distortion, reduce the volume control on your amplifier to a lower setting. Never allow your amplifier to be driven into “clipping”. Otherwise the speakers may be damaged.
- When using an amplifier with a rated output power higher than the nominal input power of the speakers, care should be taken never to exceed the speakers’ maximum input.
- Do not attempt to clean the speakers with chemical solvents as this might damage the finish. To clean, wipe with a dry, soft cloth.
- To prevent the enclosure from warping or discoloring, do not place the speakers where they will be exposed to direct sunlight or excessive humidity.
- Do not place the speaker where they are liable to be knocked over or struck by falling objects. Stable placement will also ensure better sound performance.
- Placing the speakers on the same shelf or rack as the turntable can result in feedback.
- These speakers feature a magnetically shielded design, but there is still a chance that placing them too close to a TV set might impair picture color. Should this happen, move the speakers away from the TV set.
- **Secure placement or installation is the owner’s responsibility.**
YAMAHA shall not be liable for any accident caused by improper placement or installation of the speakers.

SETTING UP THE SPEAKERS

■ Placing the center speaker

Place the speaker on the TV whose top is flat or on the floor under the TV or inside the TV rack so that it is stabilized.

When placing the speaker on top of the TV, to prevent the speaker from falling down, put the provided fasteners at two points on both bottom of the speaker and top of the TV.

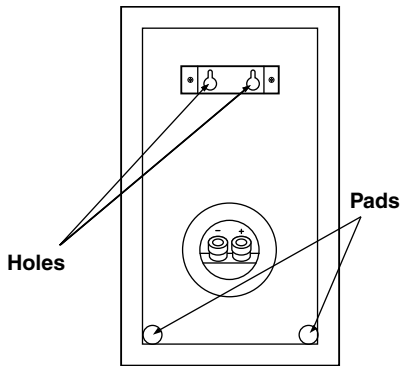


Notes

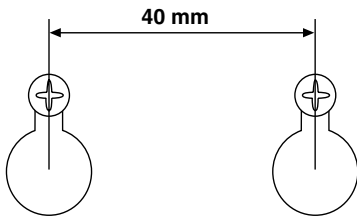
- Do not place the speaker on top of the TV whose area is smaller than the bottom area of the speaker. If placed, the speaker may drop out causing an injury to you.
- Do not place the speaker on top of the TV with an inclination.
- Do not touch the adhesive surface after peeling off the seal as this will weaken its adhesive strength.
- Thoroughly wipe clean the surface where the fastener is to be applied. Note that adhesive strength is weakened if the surface is dirty, oily or wet and that this may cause the center speaker to drop.

■ Mounting the effect speakers on the wall

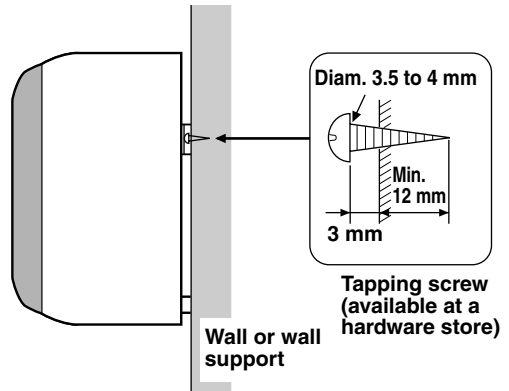
The speakers can be mounted on a wall by using the bracket attached to the speakers' back panels.



Make sure that the screws are caught by a narrow part of the holes securely.
Put the screws into a wall according to the figure shown below.



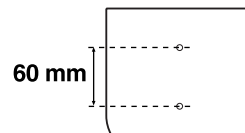
Fasten screws into a firm wall or wall support as shown in the figure below, and hang the holes on the protruding screws.



WARNING

- Each speaker weights 2.3 kg. Do not mount them on thin plywood or soft wall surface material, as the screws may come out of the flimsy surface, causing the speakers to fall down and be damaged, or result in personal injury.
- Do not fasten the speakers to wall with nails, adhesives, or other unsound hardware. Long term use and vibrations may cause them to fall down.
- To avoid accidents resulting from tripping over loose speaker cords, fix them to the wall.

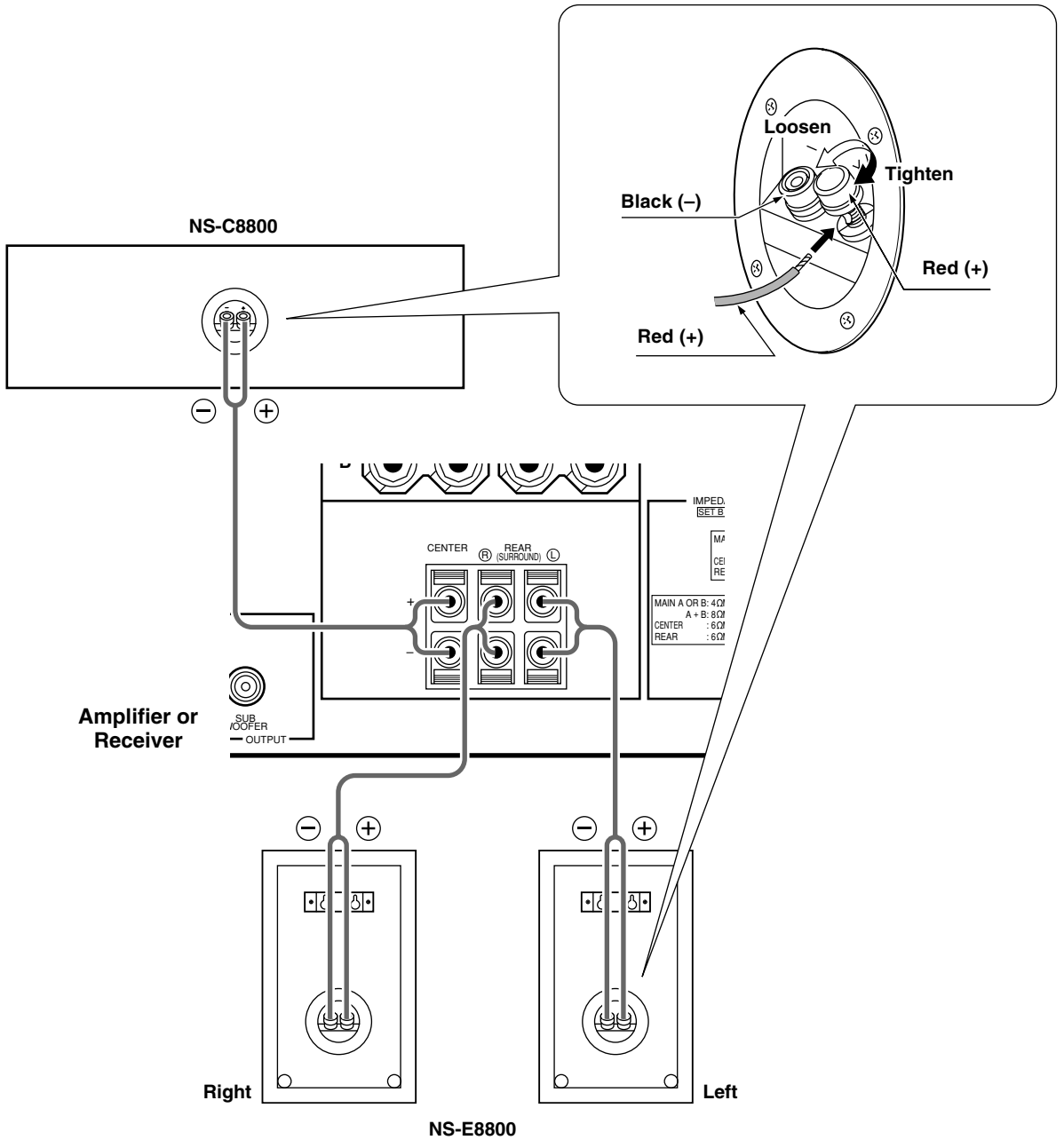
You can also use the screw holes on the bottom of the NS-E8800 for installing the speakers on commercially available speaker stands (if you do not use the provided mounting brackets.)



* Before installing, please refer to the instruction manual of the speaker stand.

CONNECTIONS TO YOUR AMPLIFIER

BEFORE MAKING CONNECTIONS, MAKE SURE THAT THE AMPLIFIER IS SWITCHED OFF.



Note
Do not let the bare speaker wires touch each other as this could damage the speaker or the amplifier, or both of them.

SPECIFICATIONS

<NS-C8800>

Type 2-way 3-speaker acoustic-suspension
speaker system
Magnetic-shielding type
Driver 10 cm cone woofer x 2
2.5 cm balanced dome tweeter
Impedance 6 ohms
Frequency Response 65 Hz to 28 kHz
Nominal Input Power 60 W
Maximum Input Power 160 W
Sensitivity 89 dB/2.83V/m
Crossover Frequency 8 kHz
Dimensions (WxHxD) 465 x 135 x 175 mm
Weight 3.8 kg
Accessories Speaker cable (4m) x 1
Fastener x 2

<NS-E8800>

Type 2-way 2-speaker acoustic-suspension
speaker system
Magnetic-shielding type
Driver 10 cm cone woofer
2.5 cm balanced dome tweeter
Impedance 6 ohms
Frequency Response 60 Hz to 28 kHz
Nominal Input Power 40 W
Maximum Input Power 100 W
Sensitivity 85 dB/2.83V/m
Crossover Frequency 10 kHz
Dimensions (WxHxD) 150 x 265 x 159 mm
Weight 2.3 kg
Accessories Speaker cable (10m) x 1

- Specifications subject to change without notice due to product improvements.
- Care should be taken not to exceed the input power values noted above.

规格

<NS-C8800>

种类	2声道3扬声器音悬扬声器系统 磁屏型
驱动器	10 cm圆锥型低音扬声器×2 2.5 cm平衡穹型高频扬声器
阻抗	6 欧姆
频率响应	65 Hz至28 kHz
额定输入功率	60 W
最大输入功率	160 W
敏感度	89 dB/2.83V/m
交换频率	8 kHz
尺寸(宽×高×深)	465 x 135 x 175 mm
重量	3.8 kg
附件	扬声器接线(4 m)×1 固定物×2

<NS-E8800>

种类	2声道2扬声器音悬扬声器系统 磁屏型
驱动器	10 cm圆锥型低音扬声器 2.5 cm平衡穹型高频扬声器
阻抗	6 欧姆
频率响应	60 Hz至28 kHz
额定输入功率	40 W
最大输入功率	100 W
敏感度	85 dB/2.83V/m
交换频率	10 kHz
尺寸(宽×高×深)	150 x 265 x 159 mm
重量	2.3 kg
附件	扬声器接线(10 m)×2

- 产品规格若有变更，恕不另行通知。
- 请注意输入功率值不要超过上述值。